

**PRODUCT CODE: SR32B**  
EXTENSION RING



**DESCRIPTION**

32mm Extension Ring

**FINISH**

Black Enamel

**MATERIAL**

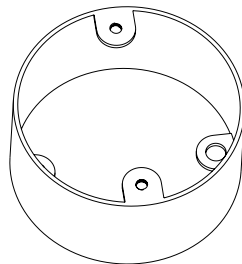
Steel

**PACKAGING**

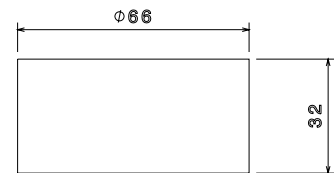
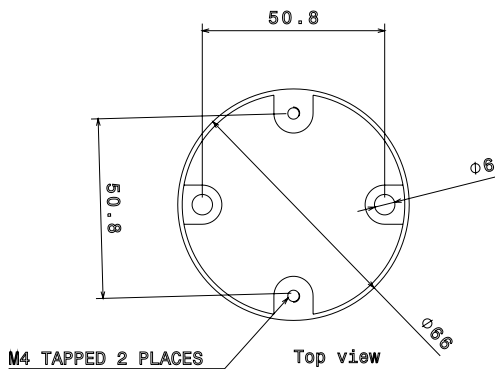
Packed in qty 20

**ADDITIONAL NOTES**

Conforms to BS EN61386-1



Isometric view



Side view